

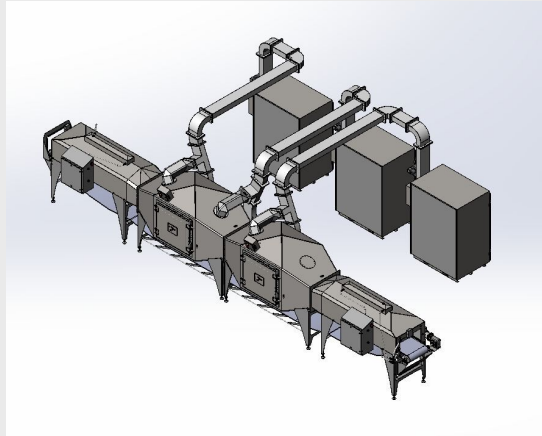


TEMPERING

CT Series - Microwave Tempering Systems

Thermo Wave's Continuous Tempering (CT) Systems are designed with **uniform heating** in mind. We have achieved vastly improved results over existing Microwave Tempering Systems by redesigning the oven shape. Combined with Thermo Wave's advanced Synthesized Polar Feed System (SPS) and WaveGen Series Power Supplies, our customers can obtain very **predictable results** and achieve **greater throughput**.

Variations are available depending on customer requirements



CT-225 with 3X75Kw WaveGen Power Supplies.

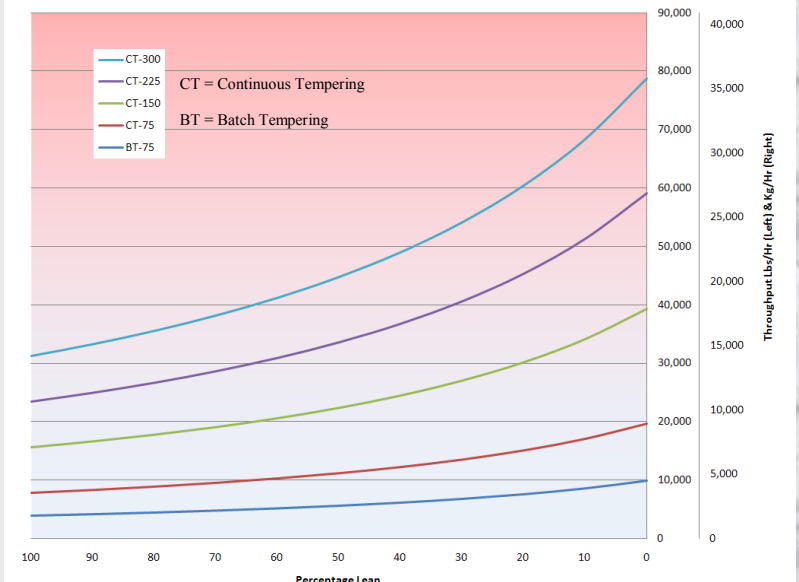


CT-150 with 2X75Kw WaveGen Power Supplies (out of view)

Advantages of CT Series Include:

- ◆ Improved cleanability as a result of Oven Design
- ◆ Provides the ability to temper "On Demand" for flexibility
- ◆ Produces very uniformed heating
- ◆ Most Advanced Power Supply (Transmitter) in the Industry
- ◆ Predictable end temperatures
- ◆ Ethernet adaptor for integration to plant communication systems
- ◆ Raw material handling is reduced as product goes directly from freezer to oven
- ◆ Maintenance-free Synthesized Polar Feed System (SPS)
- ◆ Yield and quality improvements are realized, drip losses are minimized

Right: This graph illustrates the throughput of various Thermo Wave Tempering Systems.

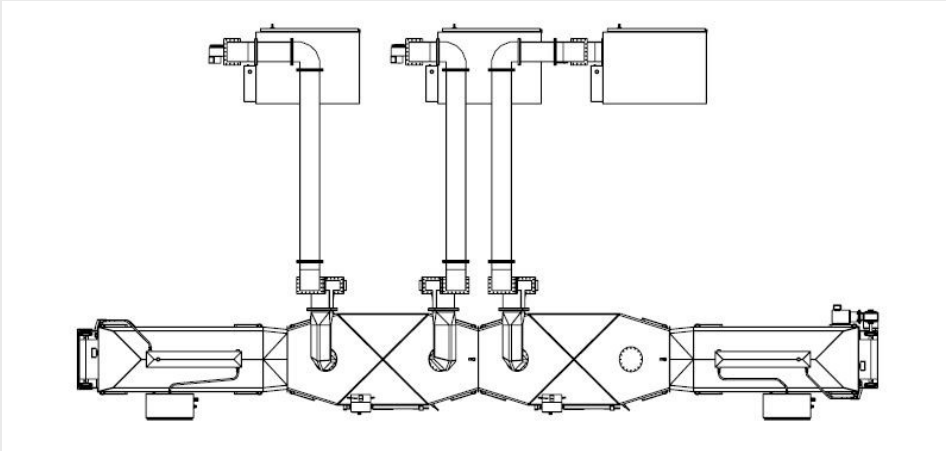


For More Details
Call 1-800-733-9615
Or Contact Us At:
sales@thermowavetech.com

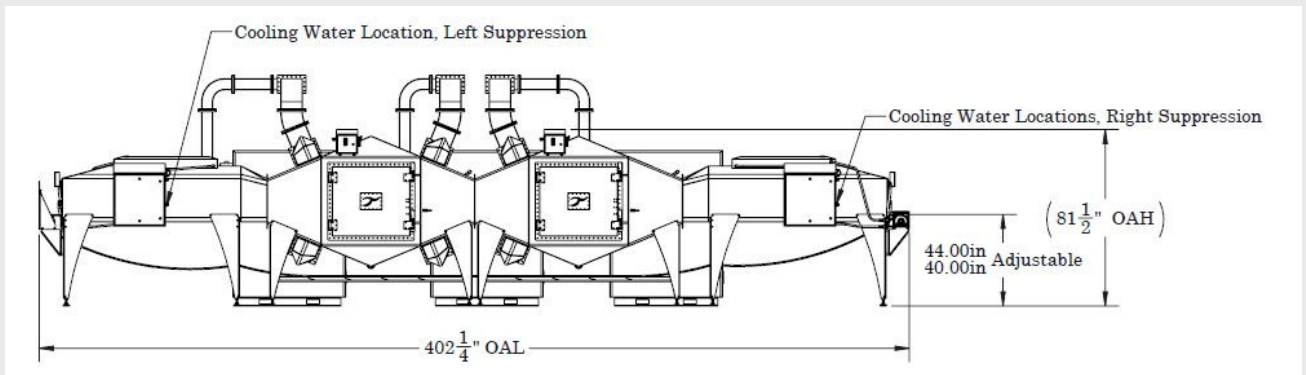


TEMPERING

CT Series - Microwave Tempering Systems



CT-225 with 3X75Kw WaveGen Power Supplies.



CT-225 with 3X75Kw Front View.

Electrical Utility:

WaveGen Power Supply
480V, 3PH, 60Hz, 125FLA, 200A Circuit Breaker

Control:

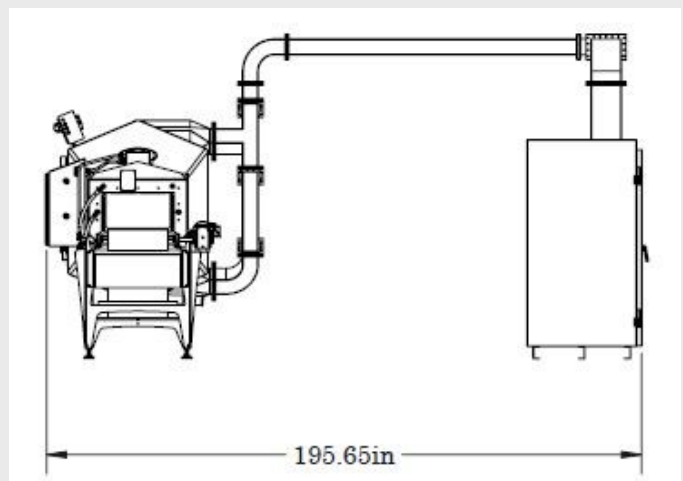
1. 480V, 3PH, 60Hz, 3.2 FLA
2. 120V, 1PH, 60Hz, 23 FLA

Cooling Water:

3-5 GPM, 85 Degrees F Max.

Compressed Air:

2x Photo Sensors, 5 PSI, 1 SCFM Each
2x Half-Full (Send/Receive) 5 PSI, 1 SCFM Each



CT-225 with 3X75Kw side view.

For More Details
Call 1-800-733-9615
Or Contact Us At:
sales@thermowavetech.com